

LUGEBACK

Item Number: 585221102
SKU: 0790628044349
Dimensions: L 15.2' x W 7.1' x H 4.1'
 (L 4,6m x W 2,2m x H 1,3m)
Box Dimensions:
 L 36" x W 32" x H 15", 141.1 lbs.
 (L 90cm x W 80cm X H 38cm, 64 kg)



The Lugeback is a warped luge corner with a cliffhanger ledge for walking on the backside that adds challenge and diversity to any Ring Series Aquapark layout. Users can slip and slide around the inside corner with a bit of speed or choose a more deliberate path along the backside cliffhanger section. The Lugeback is designed as a corner feature for Aquaglide Ring Series Aquaparks and connects on three sides using Vario straps.

Includes:

- Lugeback
- Repair kit

Not Included:

- Anchor weights
- Mooring lines
- Vario Lock straps
- Inflation pump

Recommended Items:

- Hurricane 110v 3.6 Pump
- Complete Mooring Line, 19 ft (5,79m)

Best For:

Sliding, climbing, and transferring to other features.

Warranty:

3-year limited against any manufacturing defects.

Material:

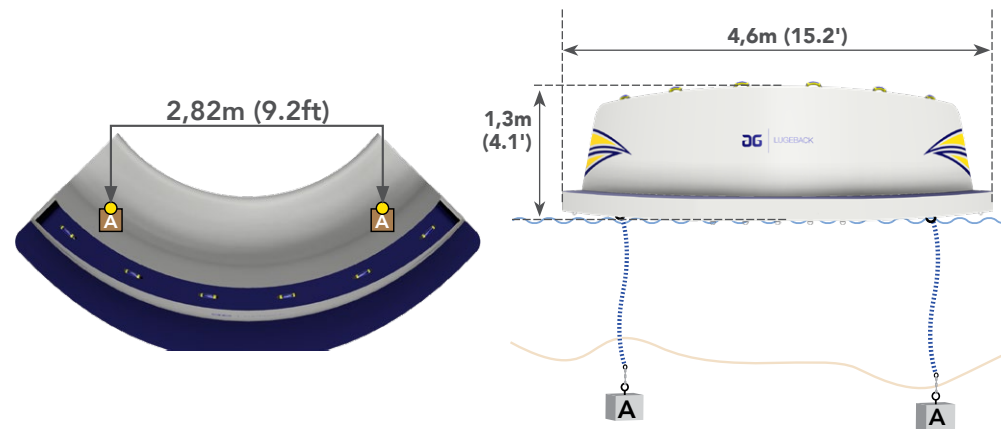
0.90 mm / 31 oz Cx3

Construction:

Double I-Beam - welded 3 layer seam

Mooring Diagram

* We recommend using Aquaglide mooring lines and weight recommendations as a starting point. It is the responsibility of the owner/operator to consider the needs of their specific site, to monitor aquapark items, and to make adjustments as necessary. Some circumstances may require additional weight or different types of mooring.



USERS ADULT / CHILD	MAX WEIGHT CAPACITY KG LBS.	MINIMUM WATER DEPTH	MIN. DISTANCE AWAY M FT	MIN. TOTAL ANCHOR WEIGHT	MIN. WEIGHT PER ANCHOR	NUMBER OF ANCHOR WEIGHTS	ANCHOR RINGS	VERTICAL MOORING LINES	D-RINGS	WORKING PRESSURE
2 2	181 kg (400 lbs.)	1,54m (5ft)	3,0m (10ft)	500 kg (1000 lbs.)	250 kg (500 lbs.)	2	2	2	5 5	Main [1] 1.5psi (0,103bar)