

# LAZY LOUNGE

**Aquaglide**

Lakefront

**Item Number:** 585221120

**SKU:** 0790628045117

**Dimensions:** L 8.9' x W 10.1' x H 1.5'  
(L 2,72m x W 3,09m x H 0,45m)

**Box Dimensions:**

L 30" x W 22" x H 10", 66.1 lbs.  
(L 76cm x W 56cm x H 25cm, 30 kg)



During the dog days of summer, the Lazy lounge is the place to be when out on the water. The Lazy Lounge has room to comfortably seat up to six adults or children with its spacious drop-stitch platform and comfortable backrests. Integrated soaker mesh footwell and four drink holders help you cool off and hydrate during those hot and humid mid-summer days. Use the Lazy Lounge as a standalone item or connect it to other Aquaglide residential park accessories.

**Includes:**

- Lazy Lounge
- Repair kit

**Not Included:**

- Anchor weights
- Mooring lines
- Inflation pump

**Recommended Items:**

- Hurricane 110v 3.6 Pump
- Complete Mooring Line, 19 ft (5,79m)

**Best For:**

Beating the summer heat with friends and family at the lake.

**Warranty:**

3-year limited Residential / 1-year light Commercial against any manufacturing defects.

**Material:**

0.70 mm / 25 oz.

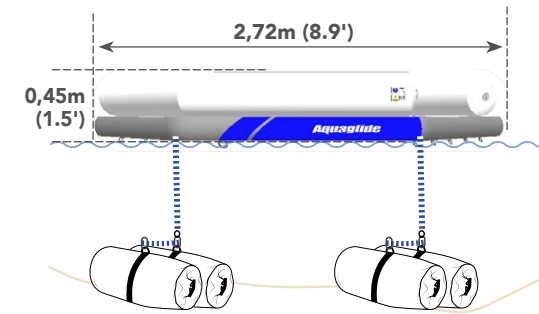
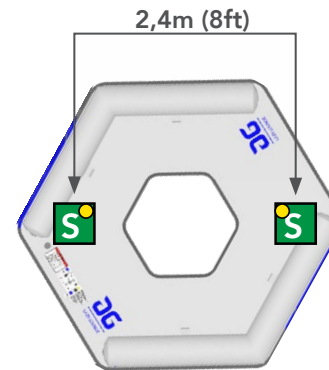
**Construction:** 15cm Dropstitch,

Tubular

**Mooring Diagram**

\* We recommend using Aquaglide mooring lines and weight recommendations as a starting point. Weighted anchors can be either poured concrete or Aquaglide's Lakefront Anchoring System.

It is the responsibility of the owner/ operator to consider the needs of their specific site, to monitor anchored items, and to make adjustments as necessary. Some circumstances may require additional weight or different types of mooring.



USERS ADULT / CHILD	MAX WEIGHT CAPACITY KG   LBS.	MINIMUM WATER DEPTH	MIN. DISTANCE AWAY M   FT	MIN. TOTAL ANCHOR WEIGHT	MIN. WEIGHT PER ANCHOR	NUMBER OF ANCHOR WEIGHTS	ANCHOR RINGS	D-RINGS	WORKING PRESSURE
6   6	363 kg (800 lbs.)	1,13m (3.7ft)	3m (10ft)	200 kg (500 lbs.)	100 kg (250 lbs.)	2	2	5   5	MAIN [1] 6,0 psi (0,414 bar), TUBE [2] 2,0 psi (0,138 bar)