

LANDING PAD

Item Number: 585219690

SKU: 0790628042697

Dimensions: L 13.3' x W 13.8' x H 0.5'
(L 4,1m x W 4,2m x H 0,15m)

Box Dimensions:

L 41" x W 24" x H 10", 62 lbs.
(L 105cm x W 60cm x H 25cm, 28 kg)



Made from our extremely durable Duratex and drop-stitch materials, the Landing Pad 4M is built to last and can be used as a standalone item or connected to any Aquaglide Aquapark configuration using the integrated D-Ring Interloc system on all four sides. The Landing Pad can also be attached to our Docking Station and Ocean Pool products to help create the ultimate floating island.

Includes:

- Landing Pad
- 10 Vario Lock straps
- Repair kit

Not Included:

- Anchor weights
- Mooring lines
- Inflation pump

Recommended Items:

- Hurricane 110v 3.6 Pump
- Complete Mooring Line, 19 ft (5,79m)

Best For:

Socializing, lounging, and sunning.

Warranty:

3-year limited against any manufacturing defects.

Material:

0.80 mm / 15cm dropstitch

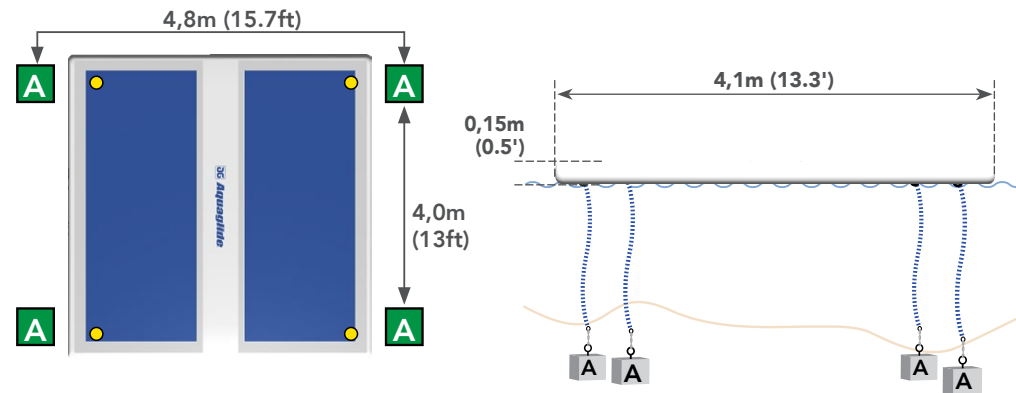
Construction:

Welded Dropstitch

Mooring Diagram

* We recommend using Aquaglide mooring lines and weight recommendations as a starting point. Weighted anchors can be either poured concrete or Aquaglide's Lakefront Anchoring System.

It is the responsibility of the owner/ operator to consider the needs of their specific site, to monitor anchored items, and to make adjustments as necessary. Some circumstances may require additional weight or different types of mooring.



USERS ADULT / CHILD	MAX WEIGHT CAPACITY KG LBS.	MINIMUM WATER DEPTH	MIN. DISTANCE AWAY M FT	MIN. TOTAL ANCHOR WEIGHT	MIN. WEIGHT PER ANCHOR	NUMBER OF ANCHOR WEIGHTS	ANCHOR RINGS	D-RINGS	STRAPS	WORKING PRESSURE
10 10	907 kg (2000 lbs.)	1,21m (4ft)	3m (10ft)	400 kg (1000 lbs.)	100 kg (250 lbs.)	4	4	9 5 9 5	10 VARIO-LOCK	MAIN [1] 2.5 psi (0,172 bar) [2] 2.5 psi (0,172 bar)