

JUNGLE JOE TR

Aquaglide

Signature Aquapark Feature

Item Number: 585219629

SKU: 0790628042154

Dimensions: L 21.6' x W 15' x H 12'
(L 6,6m x W 5,5m x H 3,8m)

Box Dimensions:

L 48" x W 40" x H 32", 415 lbs. 1pc.
(L 120cm x W 100cm x H 80cm, 188 kg)

Versatility is the name of the game with the Jungle Joe 2 feature. The pyramidal walls provide a climbing challenge for users of all ages. With multi-level terraces for exploration, zero-entry slide, and an engaging interior splash zone with soaker mesh floor, the Jungle Joe 2 has a little bit of everything. Use the Jungle Joe 2 as a standalone focal point, or connect it to other Aquaglide Aquapark features using the D-Ring Interloc system.



Includes:

- Jungle Joe TR
- Repair Kit

Not Included:

- Trickle kit
- Anchor weights
- Mooring lines
- Inflation pump
- Boarding platform
- Recommended Items:
 - Trickle Kit
 - Hurricane 110v 3.6 Pump
 - Tornado 110v 2.5 Pump
 - Turbo 2.3 Pump
 - Complete Mooring Line, 19 ft (5,79m)

Best For:

Climbing, sliding, playing, jumping, and resting.

Warranty:

Limited 3-year Warranty

Material:

0.90 mm / 31 oz Cx3

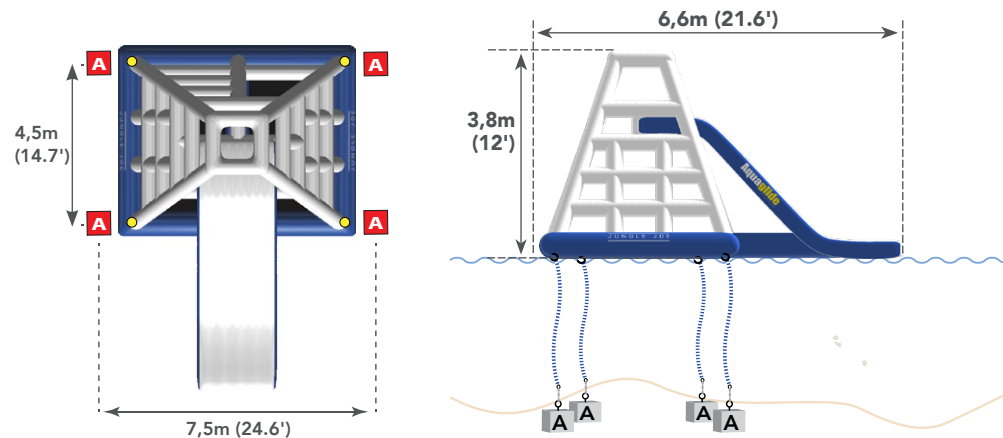
Construction:

Double I-Beam w/ tubular-welded 3 layer seam

Slide Height: 9'0" (2,74m)

Mooring Diagram

* We recommend using Aquaglide mooring lines and weight recommendations as a starting point. It is the responsibility of the owner/ operator to consider the needs of their specific site, to monitor aquapark items, and to make adjustments as necessary. Some circumstances may require additional weight or different types of mooring.



USERS
ADULT / CHILD

10 | 10

MAX WEIGHT
CAPACITY KG | LBS.

907 kg
(2000 lbs.)

MINIMUM
WATER DEPTH

2,78m
(9.1ft)

MIN. DISTANCE AWAY
M | FT

4,5m
(15ft)

MIN. TOTAL
ANCHOR WEIGHT

2000 kg
(4000 lbs.)

MIN. WEIGHT
PER ANCHOR

500 kg
(1000 lbs.)

NUMBER OF
ANCHOR WEIGHTS

4

ANCHOR
RINGS

4

VERTICAL
MOORING LINES

4

D-RINGS

5 | 5 | 5

WORKING
PRESSURE

MAIN [1]
2.0psi (0,138 bar),
UPPER [2]
2.0psi (0,138 bar)
SLIDE [3]
1.2psi (0,083 bar)