

# CATAPULT W/ TRAPEZE

**Aquaglide**

Signature Aquapark Feature

**Item Number:** 585220113

**SKU:** 0790628043380

**Dimensions:** L 16' x W 13' x H 15'  
(L 4,8m x W 4m x H 4,6m)

**Box Dimensions:**

L 41" x W 31" x H 23", 200 lbs. 1pc.  
(L 103cm x W 78cm x H 59cm, 91 kg)

The Catapult sends users swinging or launching themselves over the water. The Catapult presents a more approachable trapeze-style swinging experience than its larger counterpart, the Skyrocket. An integrated swim platform and molded climbing steps on the inside and outside make it easy to board from the water and climb onto the swing position. Use the Catapult as a standalone feature or connect to any Aquaglide Aquapark configuration using the D-Ring Interloc system.



Includes:

- Catapult
- 5 Vario Lock straps
- Trapeze
- Swing seat
- Repair kit

Not Included:

- Anchor weights
- Mooring lines
- Boarding platform
- Inflation pump

Recommended Items:

- Hurricane 110v 3.6 Pump
- Complete Mooring Line, 19 ft (5,79m)

Best For:

Swinging.

Warranty:

Limited 3-year Warranty

Material:

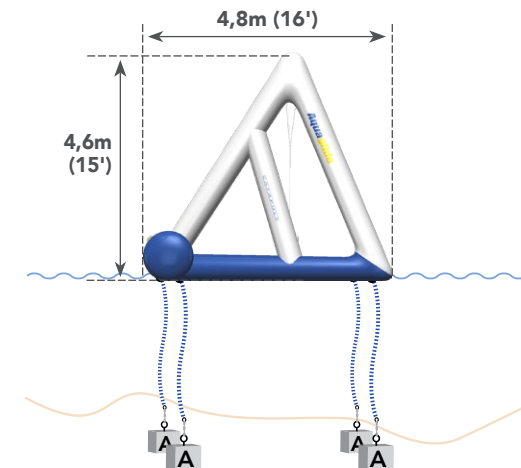
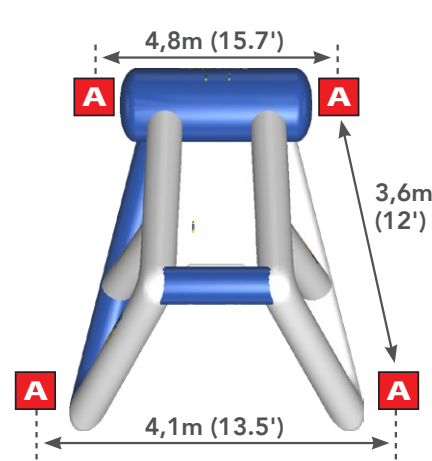
0.90 mm / 31 oz Cx3

Construction:

Tubular - welded 3 layer seam - integrated DS w/ welded seam

## Mooring Diagram

\* We recommend using Aquaglide mooring lines and weight recommendations as a starting point. It is the responsibility of the owner/ operator to consider the needs of their specific site, to monitor aquapark items, to make adjustments as necessary. Some circumstances may require additional weight or different types of mooring.



USERS  
ADULT / CHILD

1 | 1

MAX WEIGHT  
CAPACITY KG | LBS.

363 kg  
(800 lbs.)

MINIMUM  
WATER DEPTH

2,44m  
(8ft)

MIN. DISTANCE AWAY  
M | FT

4,5m  
(15ft)

MIN. TOTAL  
ANCHOR WEIGHT

2000 kg  
(4000 lbs.)

ANCHOR  
WEIGHT

500 kg  
(1000 lbs.)

NUMBER OF  
ANCHOR WEIGHTS

4

ANCHOR  
RINGS

4

VERTICAL  
MOORING LINES

4

D-RINGS

5 | 5 | 5

WORKING  
PRESSURE

MAIN [1]  
1.74psi (0,119 bar),  
[2] 1.74psi (0,119 bar),  
[3] 5.0psi (0,345 bar)